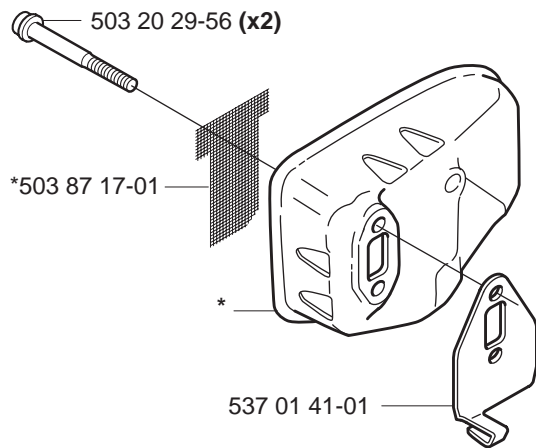
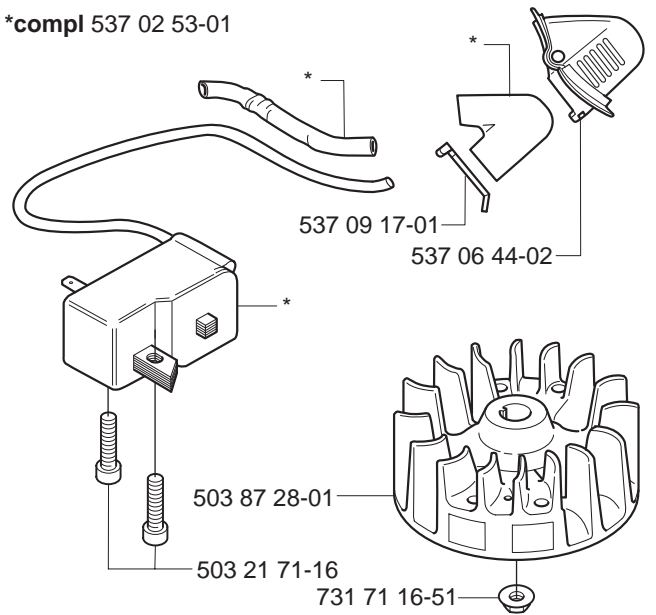


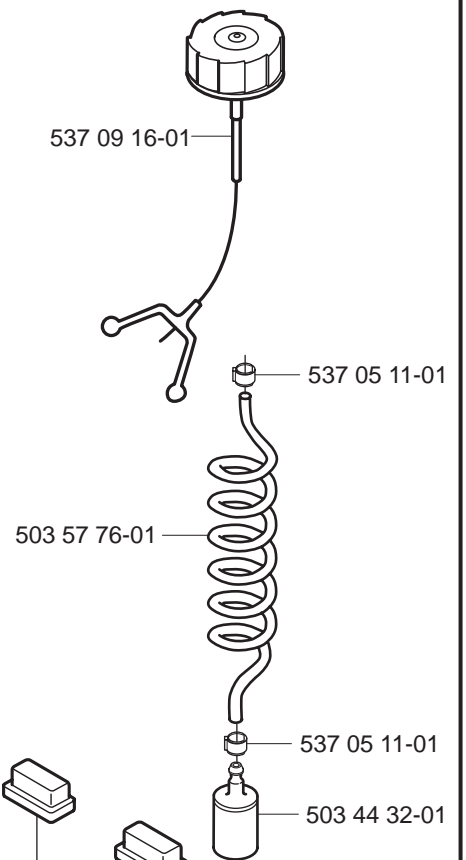
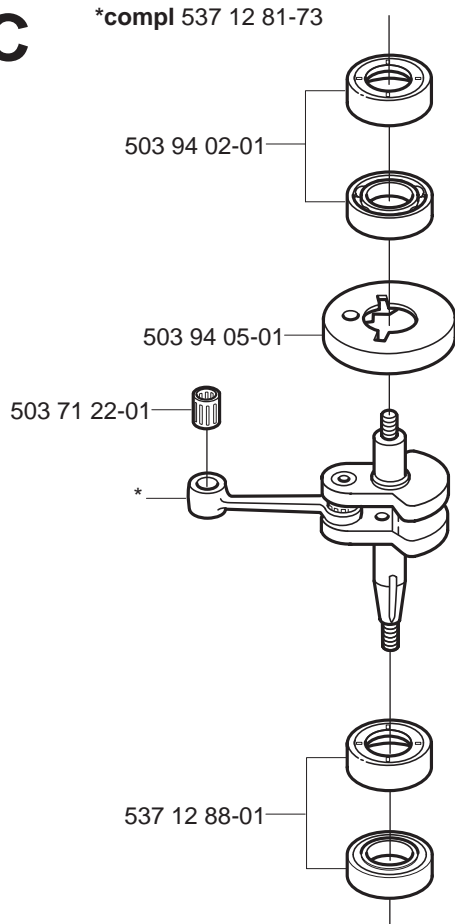
A *compl 537 04 57-01



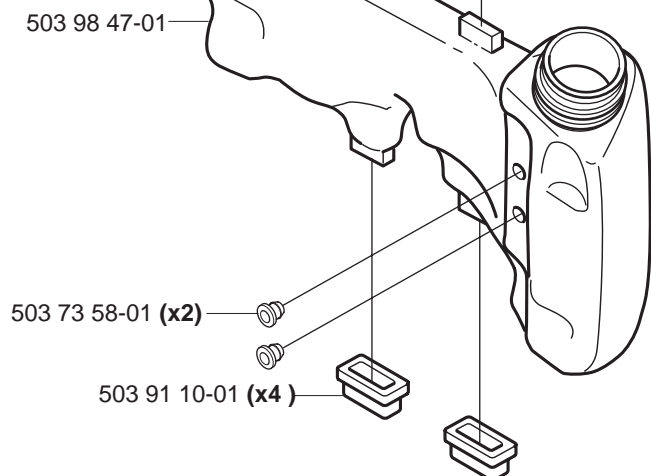
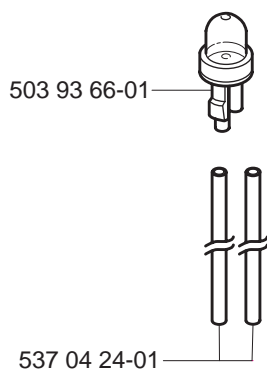
B *compl 537 02 53-01

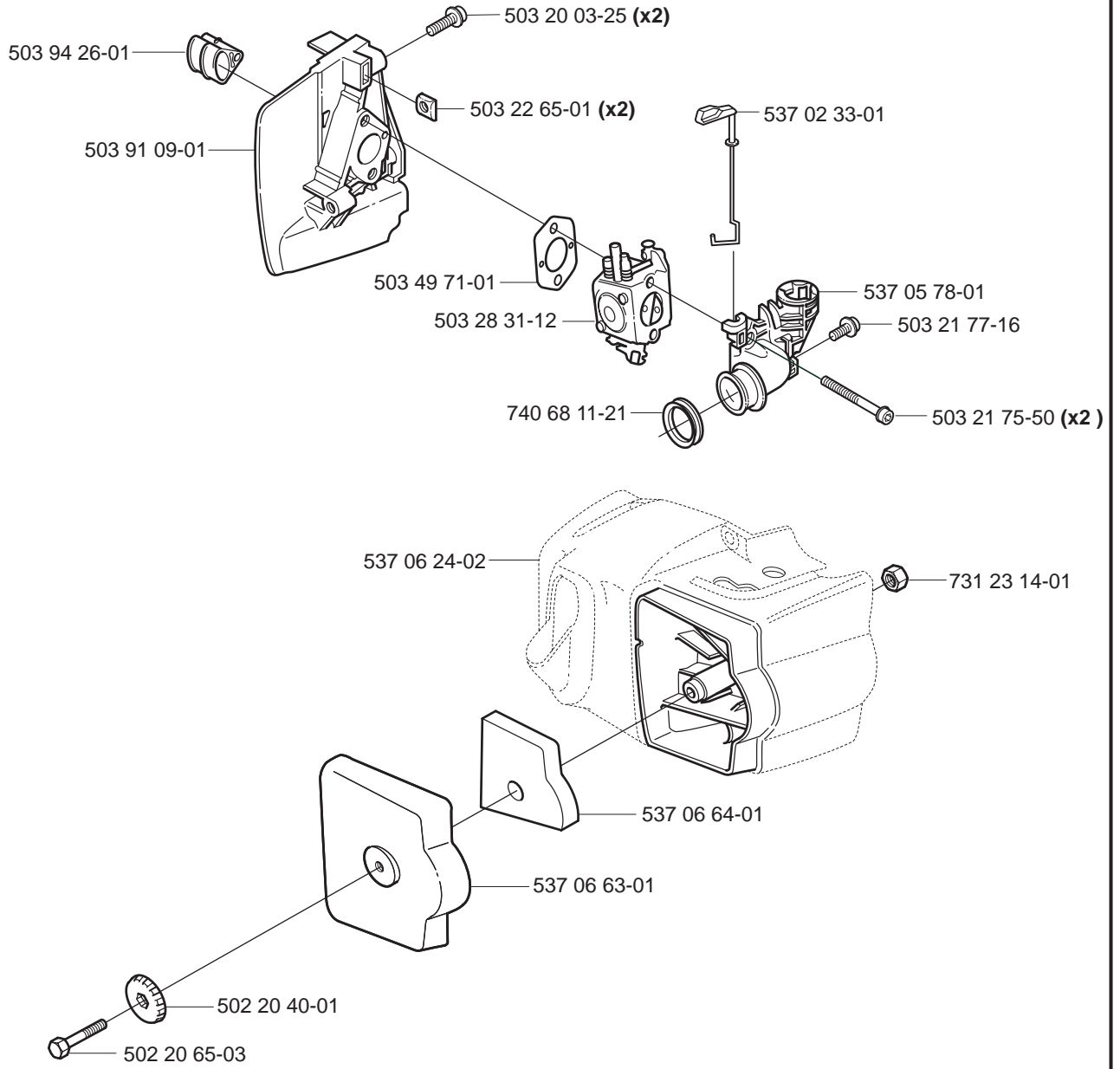
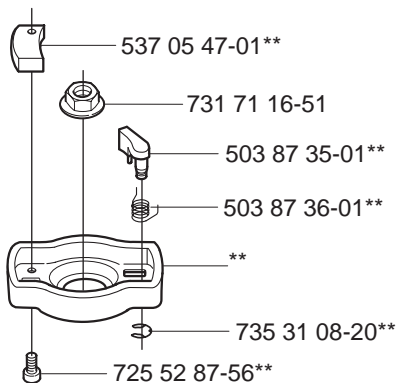
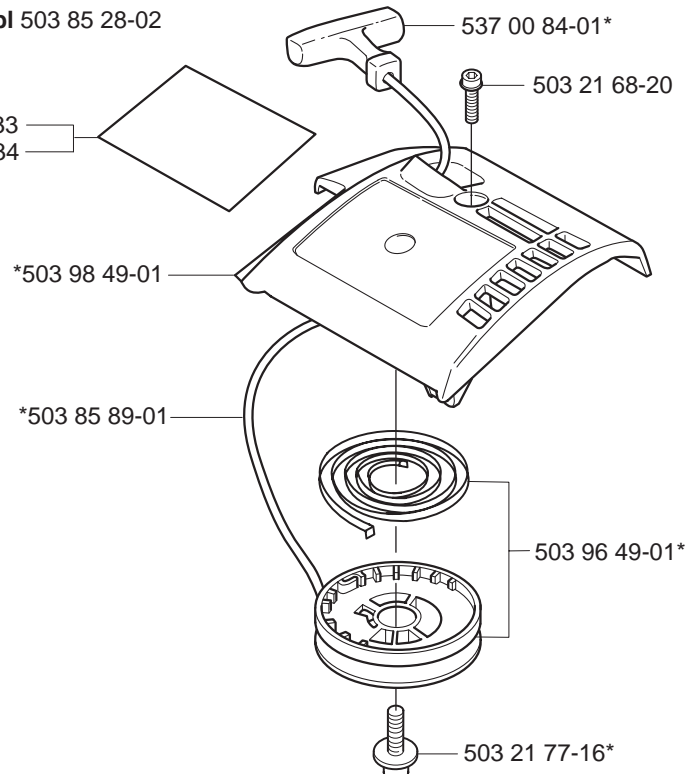


C *compl 537 12 81-73



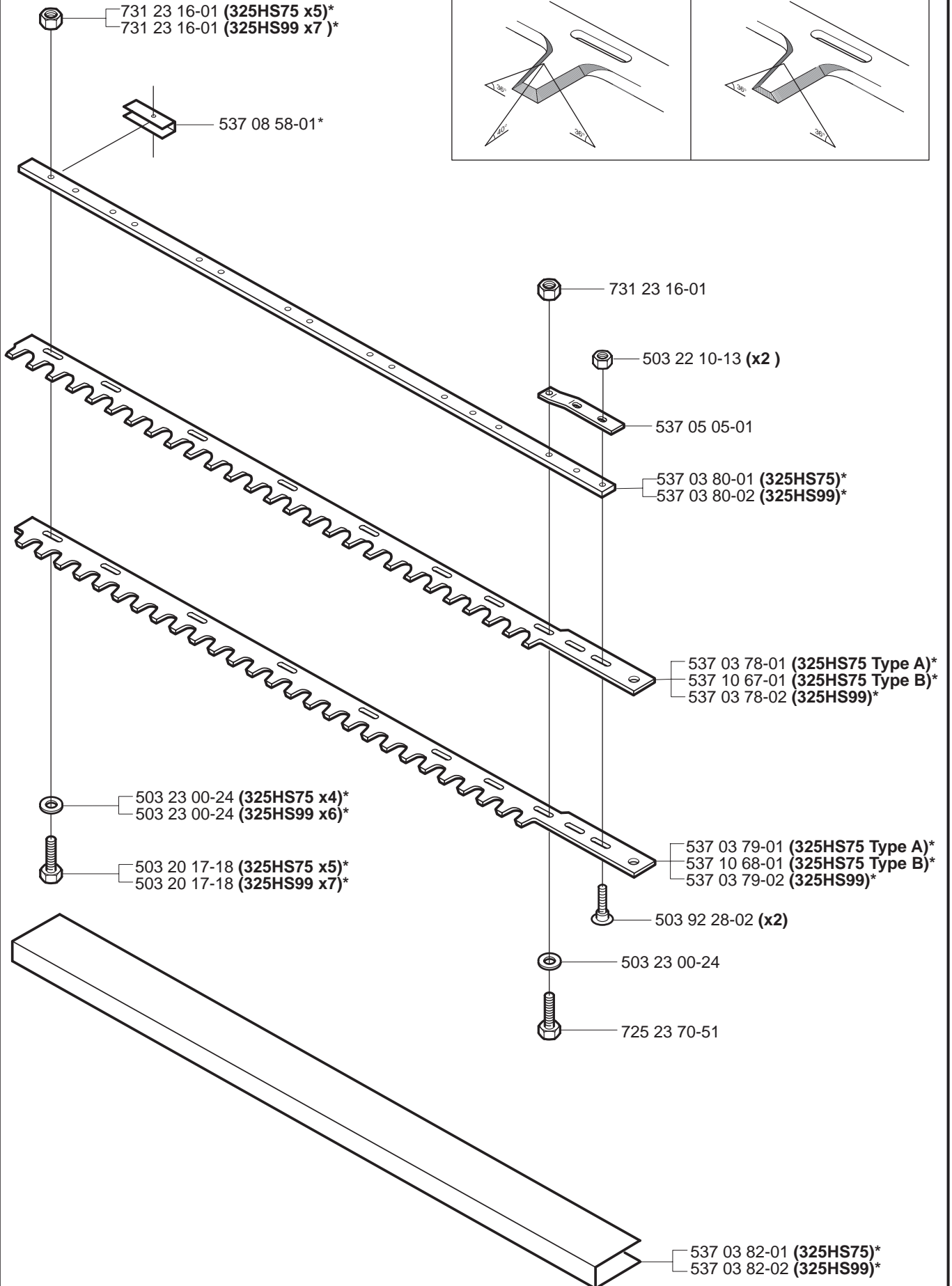
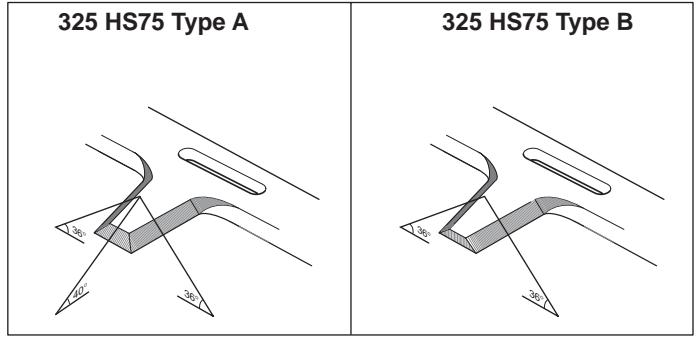
D



G**H**503 97 98-33 **325HS75**503 97 98-34 **325HS99******compl 503 87 33-03*****compl 503 85 28-02**503 97 98-33
503 97 98-34

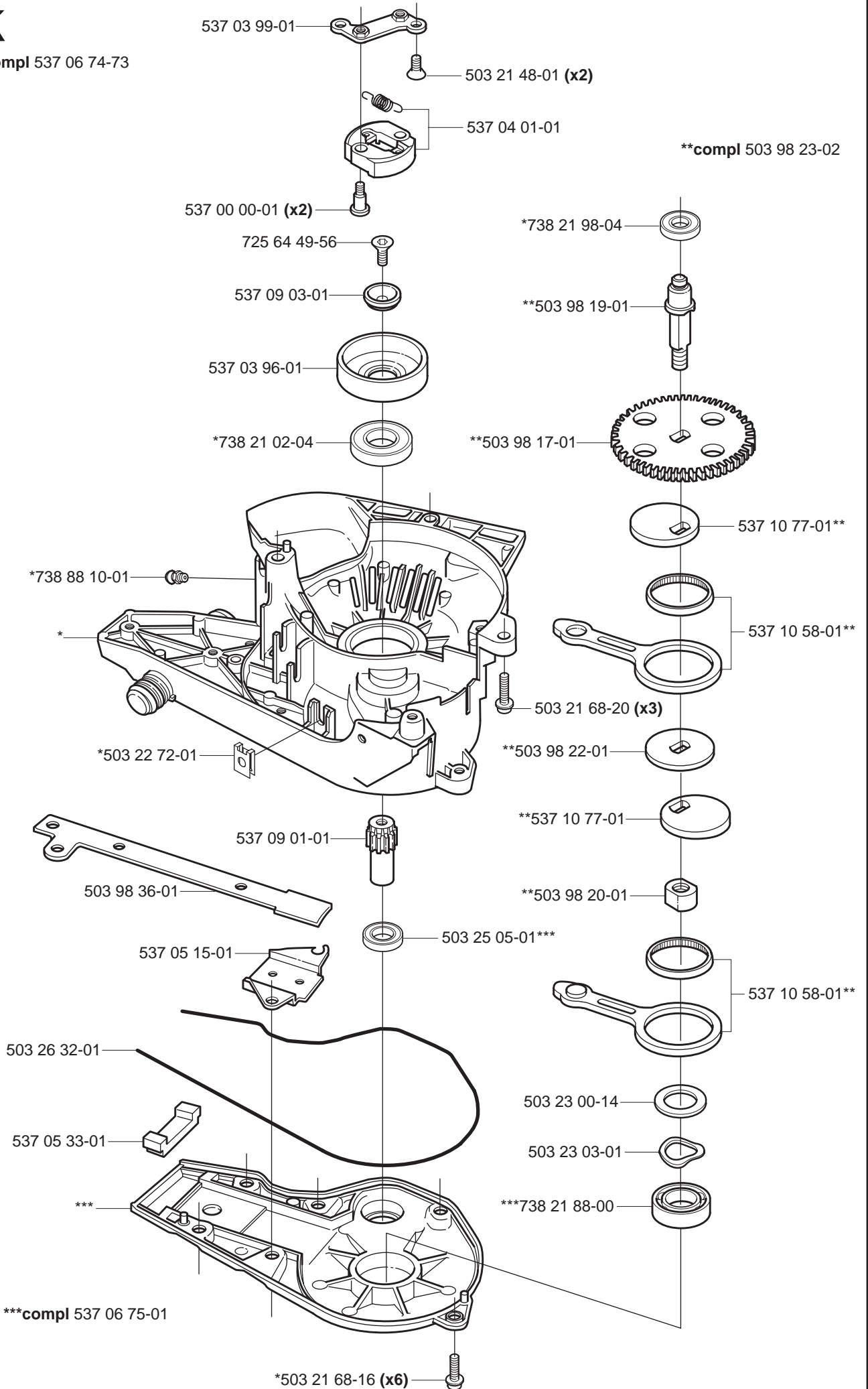
J

*compl 537 03 77-01 (325HS75 Type A)
 *compl 537 03 77-03 (325HS75 Type B)
 *compl 537 03 77-02 (325HS99)



K

*compl 537 06 74-73

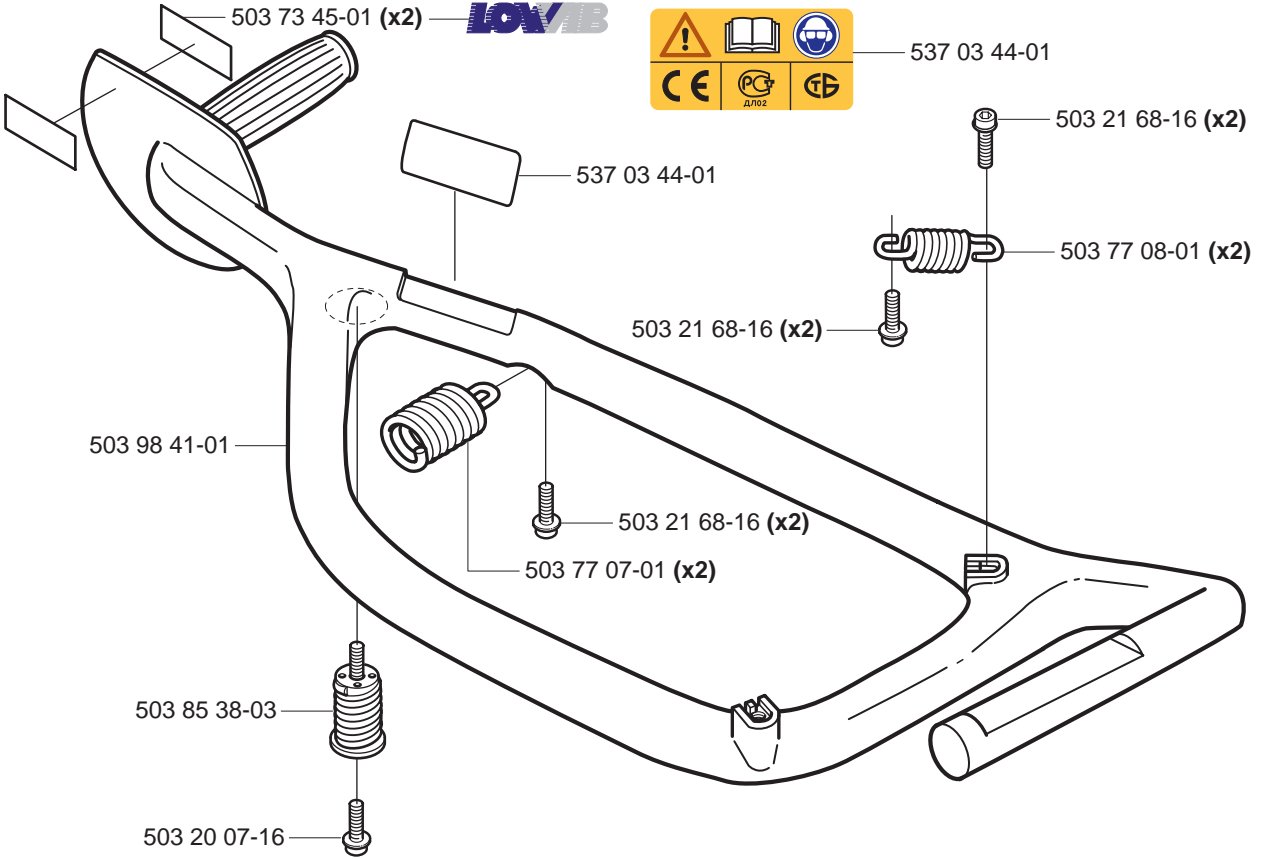


L

503 73 45-01 (x2)



537 03 44-01



503 21 68-16 (x2)

503 77 08-01 (x2)

503 21 68-16 (x2)

503 98 41-01

503 21 68-16 (x2)

503 77 07-01 (x2)

503 85 38-03

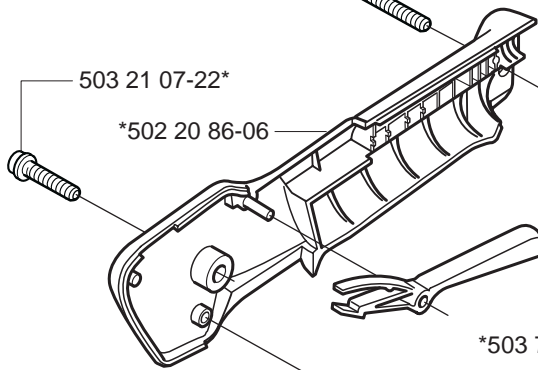
503 20 07-16

503 20 02-40

503 21 07-22*

*502 20 86-06

*compl 503 98 42-01



502 19 94-01*

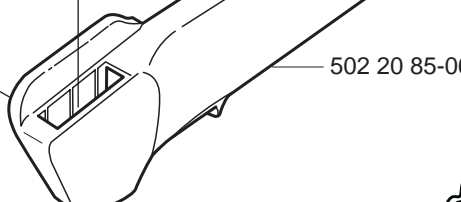
503 22 65-04

*503 71 82-01

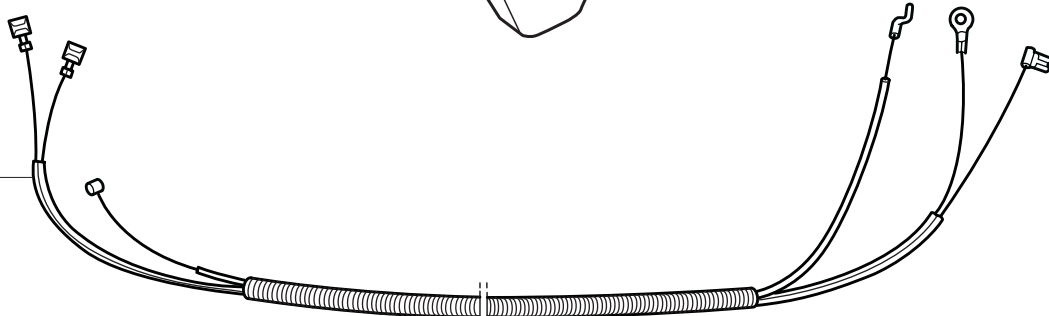
*502 19 92-01

*503 79 41-01

502 20 85-06*

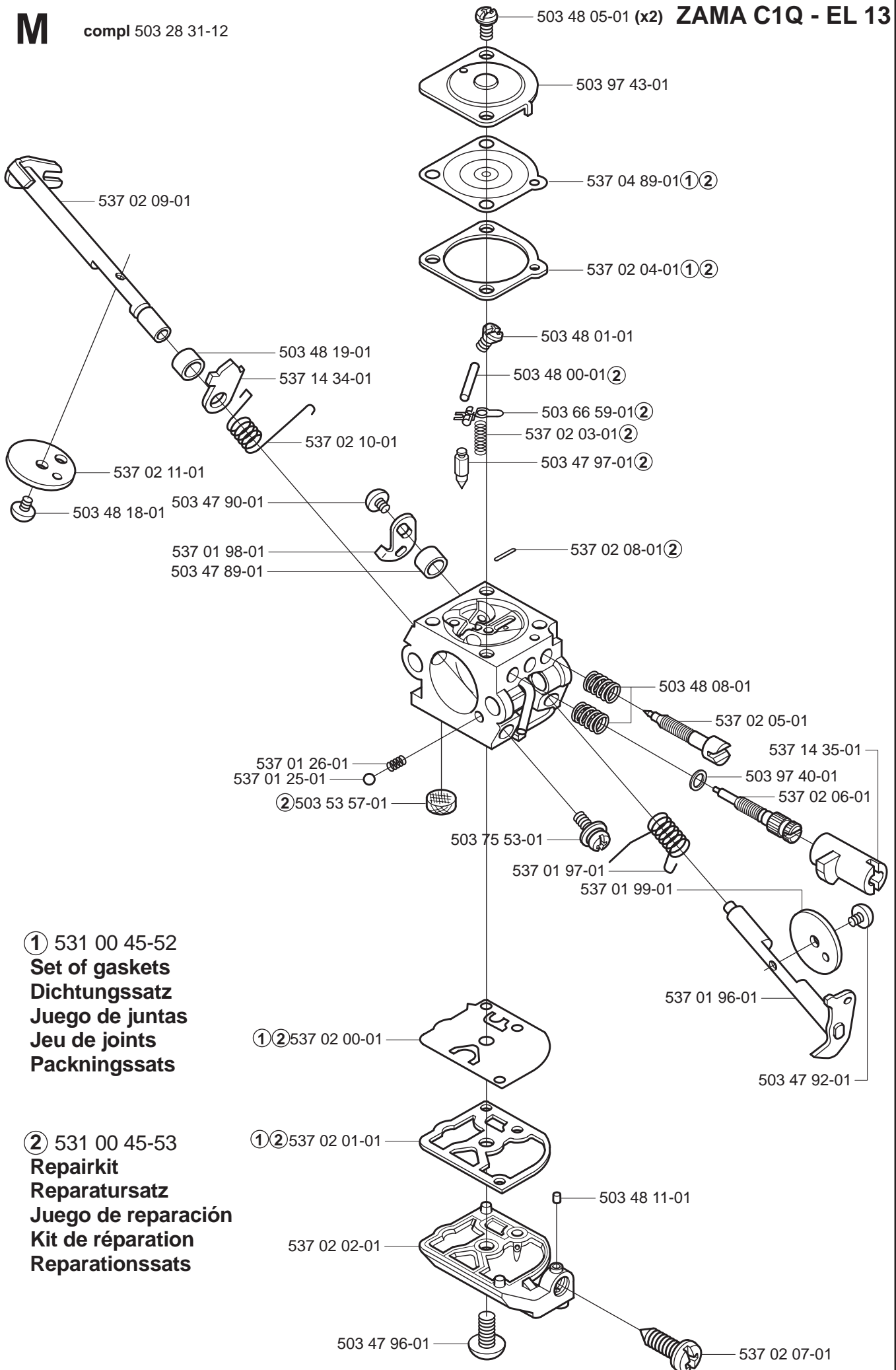


*537 05 20-01



M

compl 503 28 31-12

ZAMA C1Q - EL 13

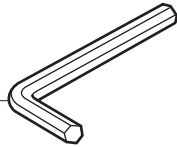
① 531 00 45-52
Set of gaskets
Dichtungssatz
Juego de juntas
Jeu de joints
Packningssats

② 531 00 45-53
Repairkit
Reparatursatz
Juego de reparación
Kit de réparation
Reparationsssats

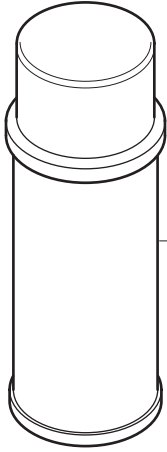
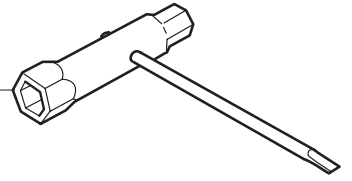
N Accessories
Zubehöre
Accessoires
Acessorios
Tillbehör

*compl 502 21 60-09

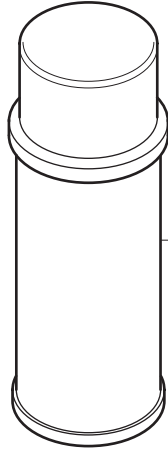
*502 21 58-01



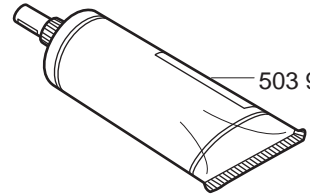
*501 69 17-01



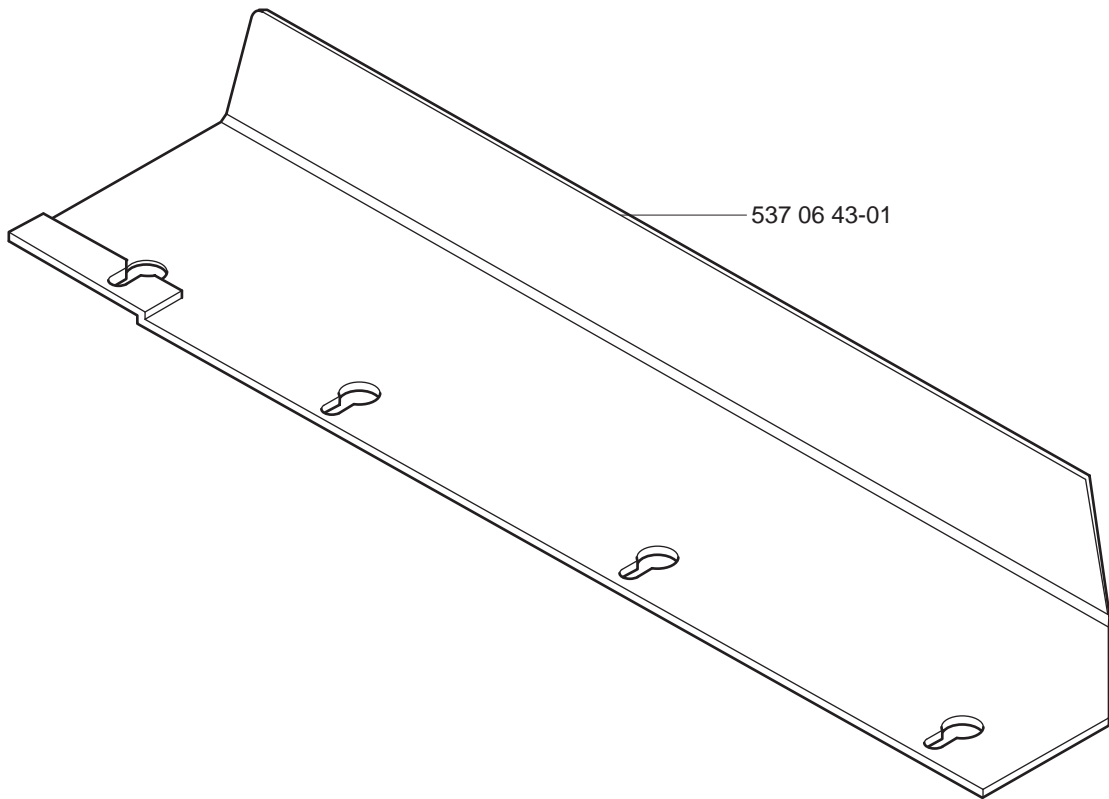
531 00 75-13 **UL22**



531 00 75-12 **UL21**



503 98 96-01*



537 06 43-01